

Metal Processing Co, Inc.

Specializing in Glass to Metal Seals

75 Westech Drive
Tyngsboro, MA 01879-2717
www.metproco.com

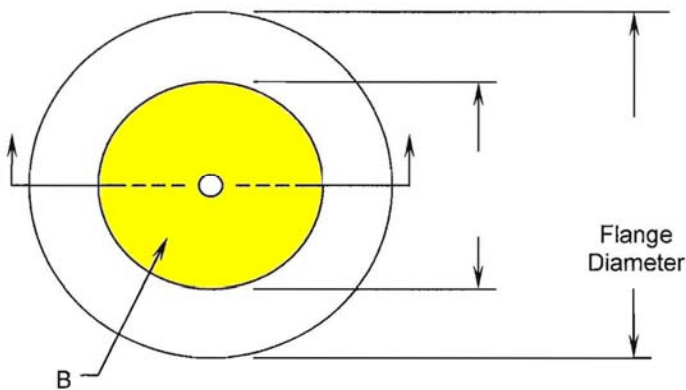
Tel. (978) 649-1289
Fax. (978) 649-2955
e-mail: sales@metproco.com

FLANGED FEEDTHRU ORDER GUIDE

Name: _____ Company: _____

Email: _____ Phone: _____ Qty Required: _____

Comments: _____



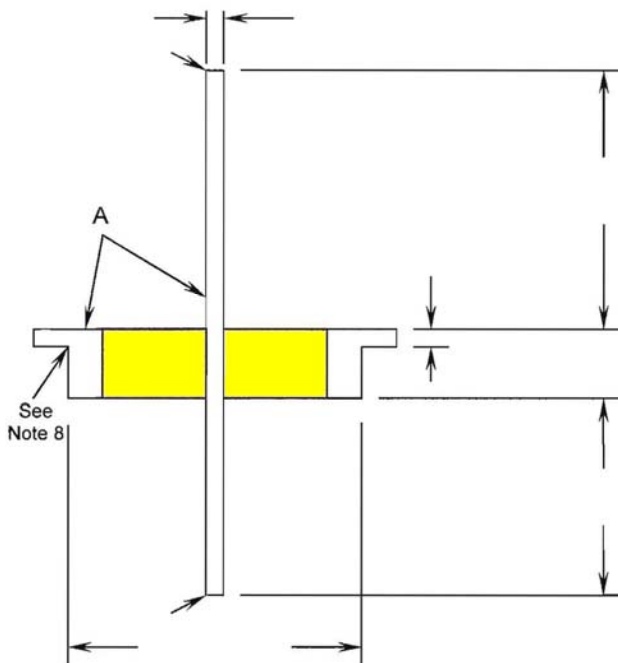
Notes:

- METALLIC**
(A) KOVAR
- GLASS**
(B) CORNING #
or Equivalent
- HERMETICITY**
 1×10^{-8} STD. cc/SEC.
at One Atmosphere
- PLATING**

(NI Underplate)

(AU Finish)
- MENISCUS**
.005 max. on either side
- DIMENSIONS**
 $\pm .005$ Unless otherwise Specified
- SCALE**
NONE
- FLANGE TYPE**
Machined: Corners will be Sharp

Stamped: Corners will have Radius
(Inside and Outside)



Please complete the order form and fax it to us at: 978-649-2955