

Metal Processing Co., Inc.

75 Westech Drive, Tyngsboro, MA 01879

Specializing in Glass-to-Metal Sealing

Voice: 978-649-1289 • Fax: 978-649-2955

E-Mail: sales@metproco.com • www.metproco.com

FLANGED FEEDTHRU ORDER GUIDE

Name: _____

Company: _____

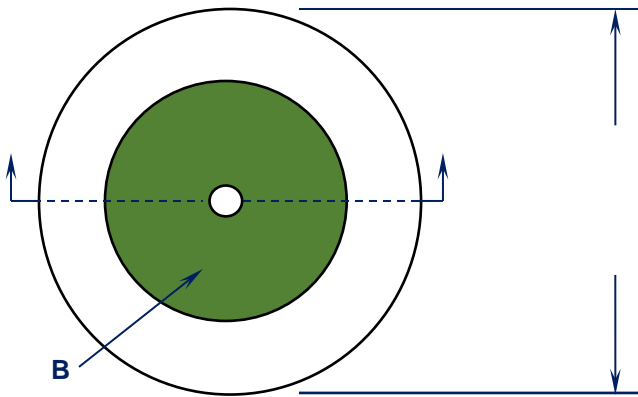
E-Mail: _____

Phone: _____

Quantity Required: _____

Fax #: _____

FLANGED FEEDTHRU



Notes:

1. **METALLIC**
(A) KOVAR (Fe-Ni-Co)
2. **GLASS**
(B) CORNING #
or Equivalent
3. **HERMETICITY**
 1×10^{-8} STD. cc/SEC.
at One Atmosphere
4. **PLATING**
5. **MENISCUS**
.005 max. on either side
6. **DIMENSIONS**
Are in inches unless otherwise specified
7. **TOLERANCES**
 $\pm .005$ unless otherwise specified
8. **FLANGED BODY**
9. **SCALE**
NONE

